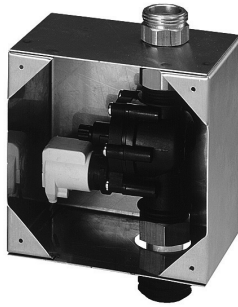
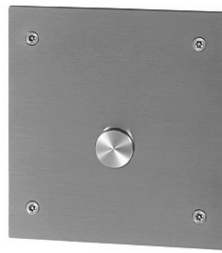


# Automatic Piezo Toilet Flushing Unit with Distant Control for Disabled People SLW 03PA



SLW 03PA



## Characteristics:



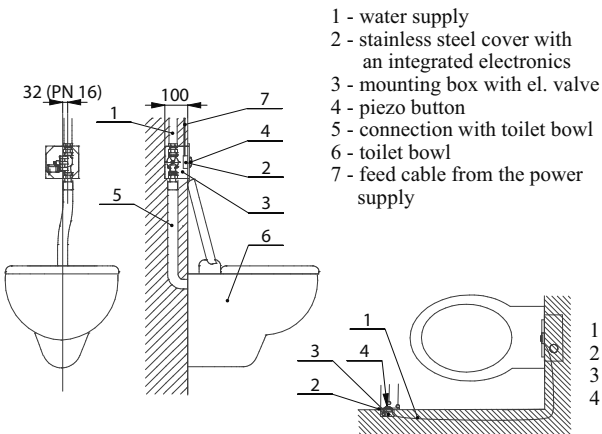
LEED

- for disabled people
- vandal-proof
- stainless steel cover, thickness 3 mm
- second piezo button (distant) for disabled people included
- toilet flushing unit for a pressure water from water distribution, isn't possible to use it for toilet with tank
- water flows after soft push of the piezo button
- adjustable flushing time from 0,5 to 15,5 seconds, standardly adjusted to 8 seconds
- parameters adjustment by SLD 04 remote control
- function switch ON/OFF
- possibility of additional manual flush by push-button (f.e. during the cleaning)
- automatic hygiene flush after each 8 hours non using of toilet (in accordance with EU hygiene norms)
- electromagnetic valve with a possibility to regulate rate of flow, possibility to flush a toilet by turn of coil of the electromagnetic valve (f.e. in the case of blackout)

## Technical Specification:

Dimension of stainless steel cover	160 x 170 x 3 mm
Dimension of mounting box	145 x 155 x 100 mm
Dimensions of distant cover plate	85 x 90 x 3 mm
Connecting cable with connectors	2500 mm
Operating voltage	24V DC external
Power input	10 W
Recommended flow pressure	min. 0,3 - 0,6 MPa
Rate of flow	60 l/min. (inf. data)
Water inlet	Ø min. 32 mm (PN 16) male thread G 1"
Water outlet	outlet fitting with a rubber sealing (as direct connection to the PVC pipe with outer Ø 40 mm)

## Installation Drawing:



- 1 - water supply
- 2 - stainless steel cover with an integrated electronics
- 3 - mounting box with el. valve
- 4 - piezo button
- 5 - connection with toilet bowl
- 6 - toilet bowl
- 7 - feed cable from the power supply

- 1 - connecting cable (included in delivery)
- 2 - mounting box
- 3 - piezo button
- 4 - stainless steel cover

## Supply Specification:

**SLW 03PA – supply No. 14036** vandal-proof stainless steel cover (3 mm) with an integrated electronics and piezo button; stainless steel mounting box with a brass screw-coupling and electromagnetic valve (1 pc); outlet fitting with a rubber seal (as direct connection to the PVC pipe with outer Ø 40 mm); torx screw (4 pcs.); stainless steel cover with piezo button for distant flushing; plastic mounting box; torx screws (2 pcs.); connecting cable with connectors (length 2500 mm); mounting set

## Recommended Accessories:

- SLZ 01Y – supply No. 05012** external power supply 230/24V DC, for connection of max. 4 pcs. of flushing units (page 118)
- SLZ 01Z – supply No. 05011** external power supply 230/24V DC, for connection of max. 7 pcs. of flushing units (page 118)
- SLZ 03 – supply No. 05030** external switched power supply 24V DC for operating of max. 9 pcs. of flushing units (see page 118)
- SLZ 06 – supply No. 05060** external power supply 230/24V DC, for connection of max. 1 pc. flushing unit (see page 118)
- SLD 04 – supply No. 07040** remote control for an adjustment of parameters of radar flushing unit and piezo electronics (see page 115)
- SLR 03 – supply No. 08030** mounting frame for pre-wall installation of wall hung toilet and flushing unit placed above the toilet (SLW 01xx) (see page 116)
- SLR 03N – supply No. 08031** mounting frame **to the plasterboard** for wall hung toilet and flushing unit placed above the toilet (see page 116)
- SLR 03Z – supply No. 08033** mounting frame **to the brick wall** for wall hung toilet and flushing unit placed above the toilet (see page 116)