

Stainless Steel Washbasins SLUN 47, SLUN 57, SLUN 66



Characteristics:

- for disabled people
- stainless steel wall hung pressed washbasin
- without a tap hole (could be made to order)
- two integrated soap holders
- material CrNi 18/10 (AISI-304)
- polished finish (SLUN 47)
- brushed finish (SLUN 47X)

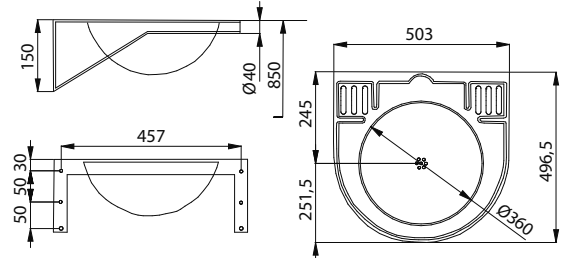


SLUN 47

Supply Specification:

- SLUN 47 – supply No. 93470 stainless steel washbasin;
- SLUN 47X – supply No. 93478 special siphon; mounting set

Dimensions:



Characteristics:

- for disabled people
- stainless steel wall hung pressed washbasin
- without a tap hole (could be made to order)
- overflow set
- modern design
- material CrNi 18/10 (AISI-304)
- brushed finish

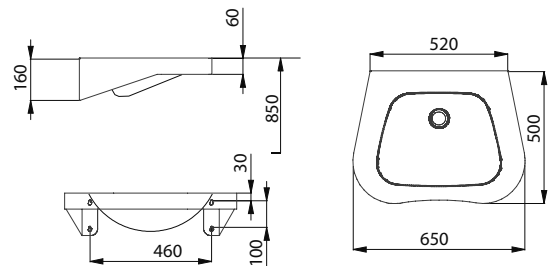


SLUN 66

Supply Specification:

- SLUN 66 – supply No. 93660 stainless steel washbasin; overflow set; siphon; mounting set

Dimensions:



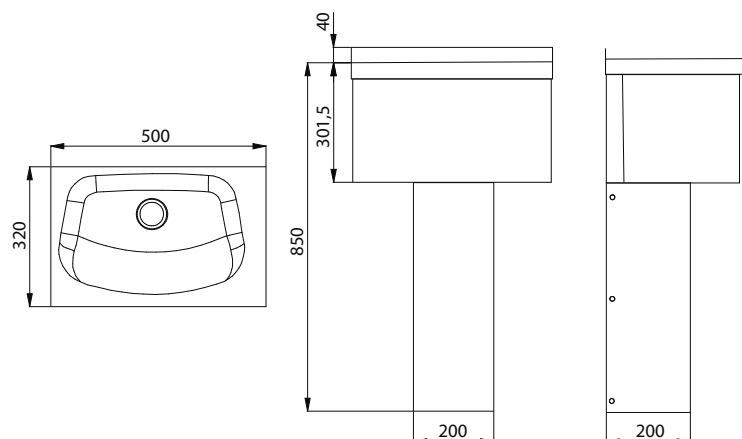
Characteristics:

- stainless steel floor standing washbasin with a sheating, fixed to the wall
- without a tap hole (could be made to order)
- clamps to the floor
- material CrNi 18/10 (AISI-304)
- brushed finish

Supply Specification:

- SLUN 57 – supply No. 93570 stainless steel washbasin; siphon; mounting set

Dimensions:



SLUN 57