

Stainless Steel Washbasins

SLUN 26, SLUN 26A, SLUN 36A, SLUN 69



Characteristics:

- stainless steel wall hung washbasin, rounded corners and edges
- with a tap hole (SLUN 26)
- without a tap hole (SLUN 26A)
- overflow set with chain and drain plug
- material CrNi 18/10 (AISI - 304)
- brushed finish

Supply Specification:

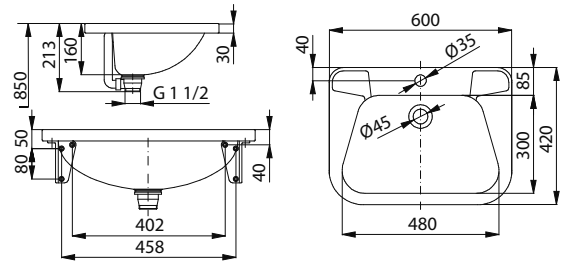
SLUN 26 – **supply No. 93260** stainless steel washbasin; console (2 pcs.); overflow set with drain plug and chain; mounting set **with a tap hole**

SLUN 26A – **supply No. 93262** stainless steel washbasin; console (2 pcs.); overflow set with drain plug and chain; mounting set **without a tap hole**



SLUN 26

Dimensions:



Characteristics:

- stainless steel wall hung washbasin
- suitable for fixing of more washbasins beside each other in one line
- with a tap hole
- material CrNi 18/10 (AISI-304)
- brushed finish

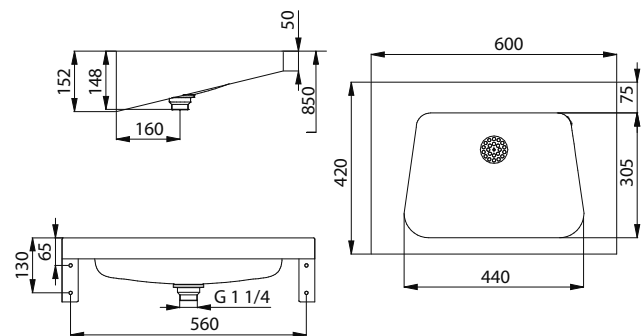
Supply Specification:

SLUN 36A – **supply No. 73362** stainless steel washbasin; waste valve; siphon; mounting set

Dimensions:



SLUN 36A



Characteristics:



- **vandal-proof**
- material CrNi 18/10 (AISI-304)
- without a tap hole (could be made to order)
- assembling by mounting plate
- brushed finish

Supply Specification:

SLUN 69 – **supply No. 73690** stainless steel washbasin; siphon; mounting set



SLUN 69

