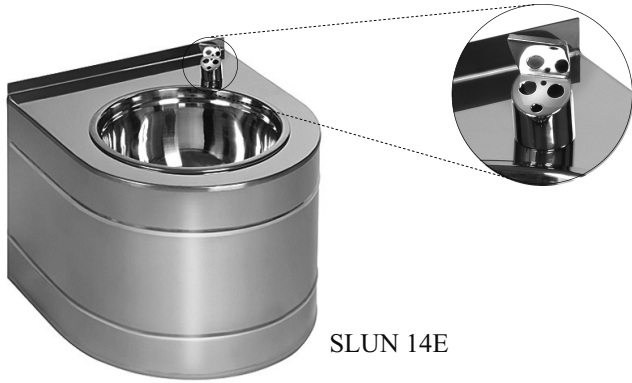


Stainless Steel Automatic Drinking Fountains SLUN 14E, SLUN 62E



SLUN 14E



SLUN 62E

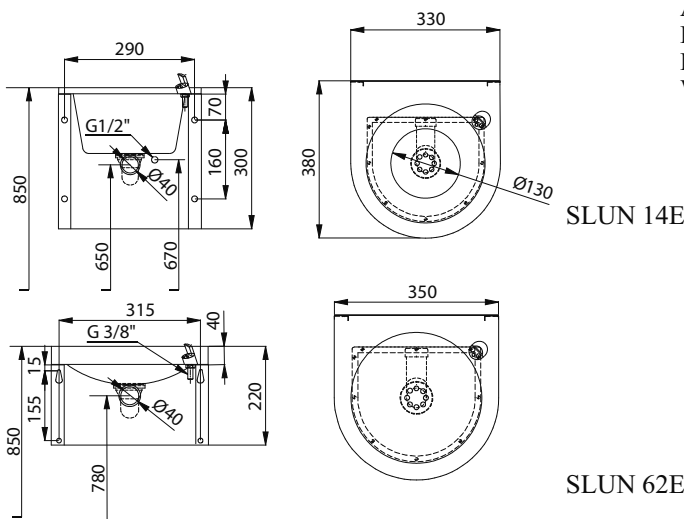
Characteristics: NEW

- stainless steel drinking fountain with infra-red sensor drinking spout
- system reacts to the user's face in front of the sensor
- material CrNi 18/10 (AISI-304)
- polished (SLUN 14E), brushed finish (SLUN 62E)
- water stops after user leaving the active range of the sensor
- function of automatic water stop after 5 minute of continuous flow
- monitoring of battery capacity (only for models with „B“ index)
- high standard of hygiene

Technical Specification:

Operating voltage	
- SLUN 14E, 62E	24V DC external
- SLUN 14EB, 62EB	battery 6V DC
Power input	
- operating voltage by 24V DC	5 W
- operating voltage by 6V	1,2 W
Battery life	approx. 2 years (100 uses per day)
Active range	0 - 0,2 m
Recommended flow pressure	0,1 - 0,6 MPa
Rate of flow	0,4 l/min. (inf. data)
Water inlet	male thread G 1/2"

Dimensions:



Supply Specification:

SLUN 14E	- supply No. 93141	stainless steel drinking fountain; drinking spout; electronics;
SLUN 62E	- supply No. 93621	connecting hose; angle valve; siphon
SLUN 14EB	- supply No. 93142	stainless steel drinking fountain; drinking spout; electronics;
SLUN 62EB	- supply No. 93622	connecting hose; angle valve; connecting hose; angle valve; siphon; batteries (4 pcs. AA alkaline, 1,5 V, 2700 mA/h)

Recommended accessories:

SLZ 01Y	- supply No. 05012	external power supply 230/24V DC for operating of max. 2 pcs. of fountains (see page 118)
SLZ 01Z	- supply No. 05011	external power supply 230/24V DC for operating of max. 4 pcs. of fountains (see page 118)
SLZ 03	- supply No. 05030	external power supply 230/24V DC for operating of max. 9 pcs. of fountains (see page 118)
SLZ 06	- supply No. 05060	external power supply 230/24V DC for operating of max. 1 pc. of fountain (see page 118)
SLD 03	- supply No. 07030	universal remote control for an adjustment of parameters of all products with infra-red electronics (see page 115)