

Stainless Steel Drinking Fountains

SLUN 14, SLUN 23, SLUN 43, SLUN 62



Characteristics:

- stainless steel wall hung drinking fountain with a push button and drinking spout
- possibility to regulate rate of flow on the push button
- material CrNi 18/10 (AISI-304)
- polished finish (SLUN 14), brushed finish (SLUN 62)



SLUN 14

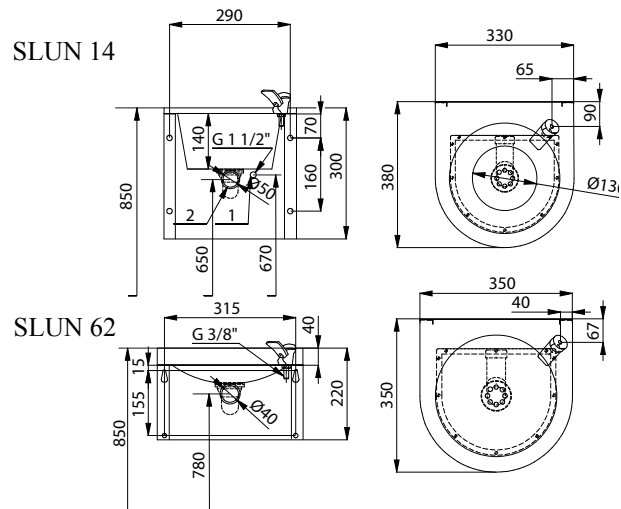


SLUN 62

Supply Specification:

- SLUN 14** – **supply No. 93140** stainless steel drinking fountain; push button;
- SLUN 62** – **supply No. 93620** stainless steel drinking fountain; push button; angle valve; connecting hose; siphon

Dimensions:



- 1 - water inlet (female thread G 1/2")
2 - waste Ø 50 mm

Characteristics:

- stainless steel floor standing drinking fountain with a push button and drinking spout
- fixed to the floor (SLUN 23), fixed to the wall (SLUN 43)
- possibility to regulate rate of flow on the push button
- filled with expanded polyurethane (to avoid dents and the typical metal noise)
- material CrNi 18/10 (AISI-304)
- inner bowl - high polished finish, sheating - brushed finish



SLUN 23



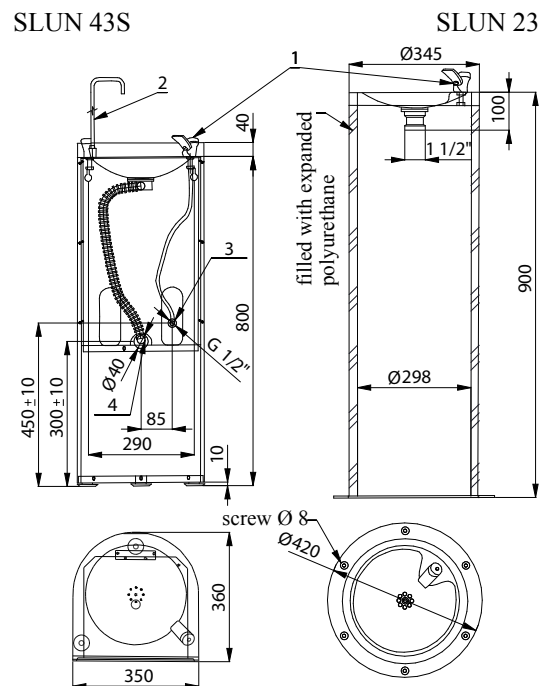
SLUN 43S



SLUN 43

Dimensions:

- 1 - drinking spout
2 - bottle filler (only for SLUN 43S/CS)
3 - water inlet - male thread G 1/2"
4 - waste outlet Ø 40 mm



Supply Specification:

- SLUN 23** – **supply No. 93230** stainless steel drinking fountain; push button; siphon
- SLUN 43** – **supply No. 93430** stainless steel drinking fountain; push button; siphon
- SLUN 43C** – **supply No. 83438** stainless steel drinking fountain; push button; cold unit; siphon
- SLUN 43CS** – **supply No. 83439** stainless steel drinking fountain; push button; cold unit; bottle filler; siphon
- SLUN 43S** – **supply No. 83435** stainless steel drinking fountain; push button; bottle filler; siphon