

Automatic Washbasin Mixers SLU 36, SLU 37



Characteristics:

NEW

6 L

LEED



SLU 36

cover

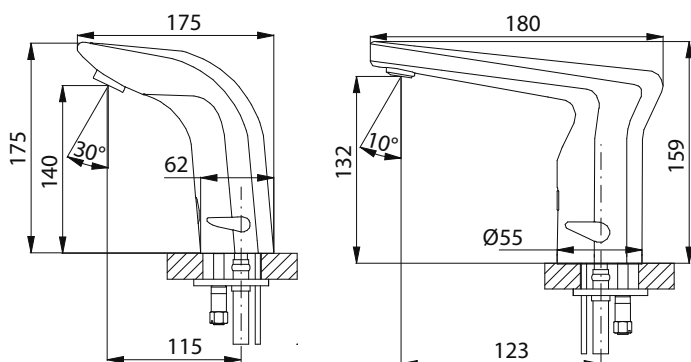
SLU 37

- economical aerator, rate of flow 6 l/min
- possibility of water temperature adjustment by mixer and follow-up plug by cover
- electromagnetic valve is integrated in tap body
- function of automatic water stop after 5 minut of continuous flow
- water is flowing as long as hands are in the active range (max. range to 0,3 m)
- water stops flowing after removal of hands from the active range of sensor after adjustable time delay
- adjustable time delay from 0,25 to 7,75 sec.
- possibility of changing of time delay, active range and switching off by SLD 03
- taps are destined for cold and hot water, temperature is regulated by an integrated mixer
- monitoring of battery capacity (only for models with „B“ index)
- START/STOP program

Dimensions:

SLU 36

SLU 37



Technical Specification:

Operating voltage	
- SLU 36, 37	24V DC external
- SLU 36B, 37B	6V
Power input	
- operating by 24V DC	5 W
- operating by 6V	2,0 W
Battery life	
- 4 pcs. alkaline batteries 1,5 V AA 2700 mAh	approx. 2 years (100 uses per day)
Active range	
- standard	0 - 0,3 m
- START/STOP program	0,05 - 0,1 m
Recommended flow pressure	0,1 - 0,6 MPa
Rate of flow	6 l/min. (inf. data)
Water inlet	male thread G 1/2"

Supply Specification:

SLU 36	- supply No. 03360	chromium-plated faucet with an integrated mixer, electronics and electromagnetic valve;
SLU 37	- supply No. 03370	connecting hoses; angle valve with filter and non-return valve (2 pcs.); silicon sealing cement; chromium-plated cover
SLU 36B	- supply No. 03365	chromium-plated faucet with an integrated mixer, electronics and electromagnetic valve;
SLU 37B	- supply No. 03375	battery holder; connecting hoses; angle valve with filter and non-return valve (2 pcs.); silicon sealing cement; battery holder; 4 pcs. of alkaline batteries chromium-plated cover

Recommended Accessories:

SLZ 01Y	- supply No. 05012	external power supply 230/24V DC for operating of max. 2 pcs. of washbasin taps (page 118)
SLZ 01Z	- supply No. 05011	external power supply 230/24V DC for operating of max. 4 pcs. of washbasin taps (page 118)
SLZ 03	- supply No. 05030	switched power supply 230/24V DC for operating of max. 9 pcs. of washbasin taps (page 118)
SLZ 06	- supply No. 05060	external power supply 24V DC for operating of max. 1 pc. of washbasin tap (page 118)
SLD 03	- supply No. 07030	universal remote control for an adjustment of parameters of all products with infra-red electronics (see page 115)
SLA 36	- supply No. 06360	set of alkaline batteries, 4 pcs. of 1,5 V AA 2700 mAh (see page 115)