

# Stainless Steel Washbasin Tap SLU 31N, SLU 32N, SLU 33N



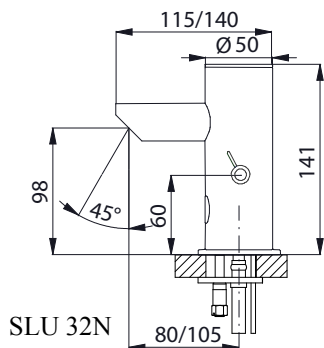
## Characteristics:

- **economical aerator, rate of flow 6 l/min**
- SLU 31N, SLU 31NB, SLU 31ND, SLU 31NDB - are destined for cold or premixed water
- SLU 32N, SLU 32NB, SLU 32ND, SLU 32NDB - are destined for cold and hot water, temperature is regulated by mixer
- SLU 33N, SLU 33NB, SLU 33ND, SLU 33NDB - are destined for cold and hot water, temperature is regulated by Allen wrench by mixer
- index „D“ - longer spout
- electromagnetic valve is integrated inside the body of the tap
- function of automatic water stop after 5 minut of continuous flow
- water is flowing as long as hands are in the active range (max. range to 0,3 m)
- time delay from 0,25 to 7,75 sec.
- possibility of changing of time delay, active range and switching off by SLD 03
- monitoring of battery capacity (only for models with „B“ index)
- START/STOP program
- brushed finish

## Technical Specification:

Operating Voltage	
SLU 31N, SLU 32N, SLU 33N	24V DC
SLU 31ND, SLU 32ND, SLU 33ND	
SLU 31NB, SLU 32NB, SLU 33NB	6V
SLU 31NDB, SLU 32NDB, SLU 33NDB	
Power input	
- operating voltage 24V DC	3 W
- operating voltage 6V	2 W
Battery life	
- 4 pcs. of alkaline batteries 1,5V, 2700mAh	approx. 2 years (100 uses per day)
Active range	
- standard	0,07 - 0,25 m
- START/STOP program	0,05 - 0,1 m
Recommended flow pressure	0,1 - 0,6 MPa
Rate of flow	6 l/min. (inf. data)
Water inlet	male thread G 1/2"

## Dimensions:



## Supply Specification:

SLU 31N	- supply No. 23318	stainless steel faucet with an integrated electronics and electromagnetic valve; connecting hoses; angle valve (1 pc.), battery box with industry velcro for fixation on the wall, included 4 pcs. AA alkaline batteries 1,5 V, 2700 mAh (only for models with „B“ index); longer spout (only for models with „D“ index)
SLU 31NB	- supply No. 23319	
SLU 31ND	- supply No. 53316	
SLU 31NDB	- supply No. 53317	
SLU 32N	- supply No. 23328	stainless steel faucet with an integrated electronics, mixer and electromagnetic valve; connecting hoses, angle valve with non-return valve (2 pc.), battery box with industry velcro for fixation on the wall, included 4 pcs. AA alkaline batteries 1,5 V, 2700 mAh (only for models with „B“ index); longer spout (only for models with „D“ index)
SLU 32NB	- supply No. 23329	
SLU 32ND	- supply No. 53326	
SLU 32NDB	- supply No. 53327	
SLU 33N	- supply No. 23338	stainless steel faucet with an integrated electronics (water temperature regulated by allen wrench) and electromagnetic valve; connecting hoses, angle valve with non-return valve (2 pc.), battery box with industry velcro for fixation on the wall, included 4 pcs. AA alkaline batteries 1,5 V, 2700 mAh (only for models with „B“ index); longer spout (only for models with „D“ index)
SLU 33NB	- supply No. 23339	
SLU 33ND	- supply No. 53336	
SLU 33NDB	- supply No. 53337	

## Remmended Accessories:

SLA 32	- supply No. 06320	faucet body extension 30 mm for SLU 31, 32, 33
SLA 33	- supply No. 06330	faucet body extension 150 mm for SLU 31, 32, 33
SLA 36	- supply No. 06360	set of alkaline batteries, 4 pcs. of 1,5V AA 2700 mAh