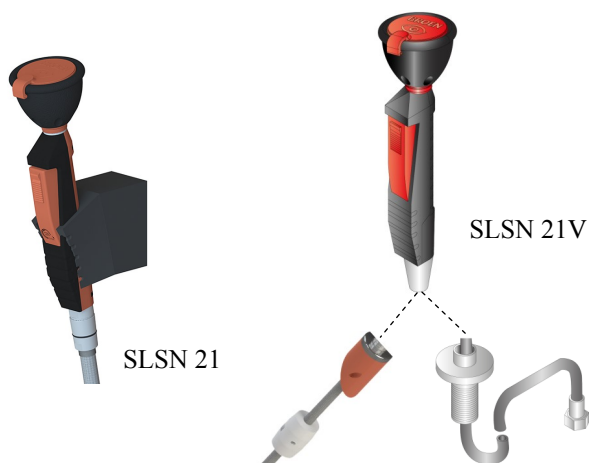


# Security Eyewash Showers SLSN 21(V), SLSN 22(V)

## Characteristics:

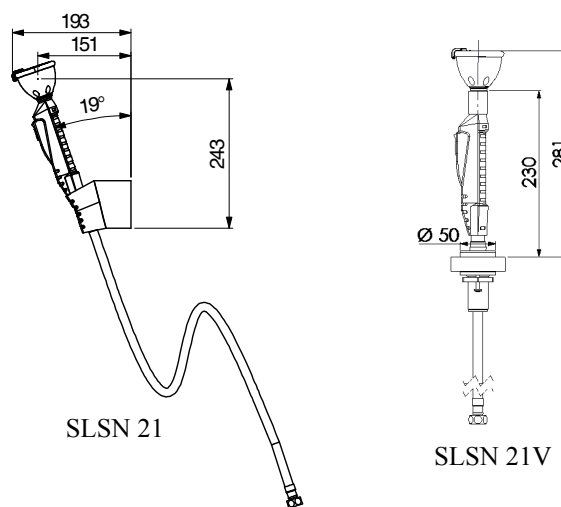
- for use in chemical, mining industry, hospitals, laboratories
- hand-held eyewash shower with one spray head, plastic, upward water stream with plastic wall holder (SLSN 21)
- hand-held eyewash shower with one spray head, plastic, upward water stream with desk or box holder. The water inlet inside the box (SLSN 21V)
- used as first aid if eyes impacted by accidents caused by fire, chemical or other dangerous substances



## Supply Specification:

- SLSN 21** – supply No. 92210 hand-held eye shower with one spray head, plastic holder, flexible hose
- SLSN 21V** – supply No. 92215 hand-held eye shower with one spray head, desk or box plastic holder, flexible hose

## Dimensions:

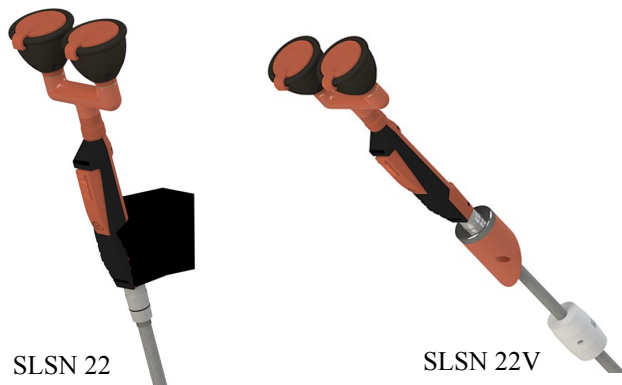


## Technical Specification:

- Rate of flow: 8 l/min (integrated flow regulator)  
 Length of supply hose: 1500 mm  
 Water inlet: ½" flexible hose

## Characteristics:

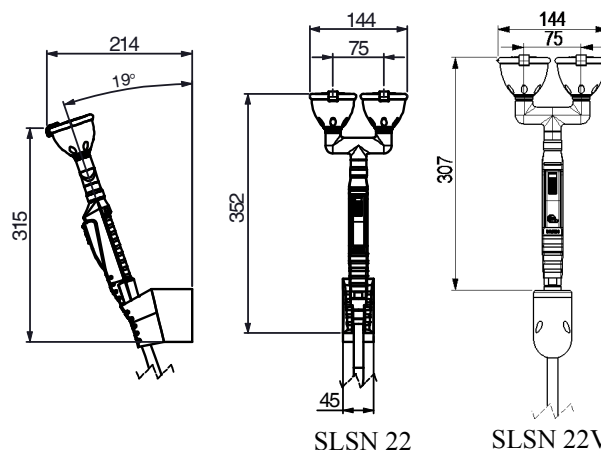
- for use in chemical, mining industry, hospitals, laboratories
- hand-held eyewash shower with two spray heads, plastic, upward water stream, with plastic wall holder (SLSN 22)
- hand-held eyewash shower with two spray heads, plastic, upward water stream with desk or box holder. The water inlet inside the box (SLSN 22V)
- used as first aid if eyes impacted by accidents caused by fire, chemical or other dangerous substances



## Supply Specification:

- SLSN 22** – supply No. 92220 hand-held eye shower with two spray heads, plastic holder, flexible hose
- SLSN 22V** – supply No. 92225 hand-held eye shower with two spray heads, desk or box plastic holder, flexible hose

## Dimensions:



## Technical Specification:

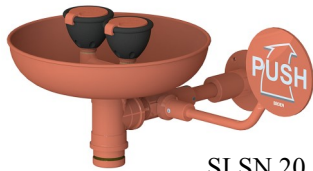
- Rate of flow: 16 l/min (integrated flow regulator)  
 Length of supply hose: 1500 mm  
 Water inlet: ½" flexible hose

# Security Eyewash Showers SLSN 20, SLSN 25



## Characteristics:

- for use in chemical, mining industry, hospitals, laboratories
- compact stainless steel eyewash shower with two spray heads, upward water stream, bowl and lever, wall mounted
- used as first aid if eyes impacted by accidents caused by fire, chemical or other dangerous substances



SLSN 20

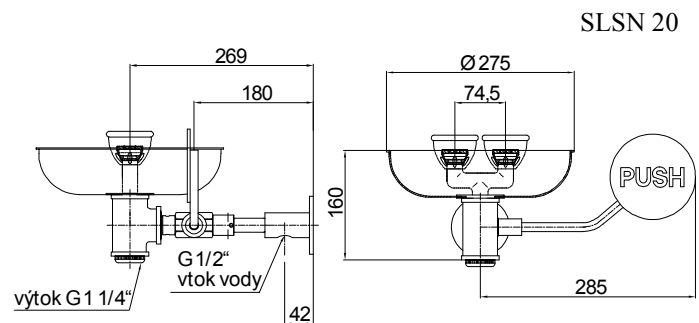
## Technical Specification:

- Rate of flow: 26 l/min @ 1 bar  
(integrated flow regulator)
- Water outlet: 1 ¼" male
- Water inlet: ½" female

## Supply Specification:

- SLSN 20 – supply No. 82200 stainless steel eye shower, coated by chemically resistant varnish with two spray heads and bowl, fixing, supplied without siphon

## Dimensions:



## Characteristics:

- for use in chemical, mining industry, hospitals, laboratories
- self standing eyewash shower with two spray heads, upward water stream, bowl and lever
- used as first aid if eyes impacted by accidents caused by fire, chemical or other dangerous substances



SLSN 25

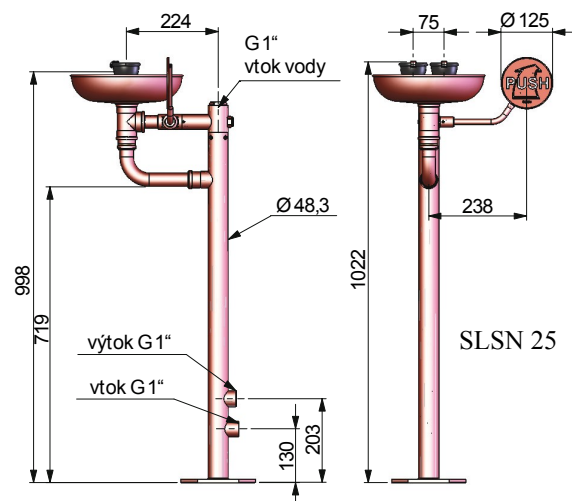
## Technical Specification:

- Rate of flow: 26 l/min @ 1 bar  
(integrated water flow)
- Water outlet: 1" male
- Water Inlet: 1" female

## Supply Specification:

- SLSN 25 – supply No. 92250 self standing eye shower coated by chemically resistant varnish with two spray heads and bowl, fixing, supplied without siphon

## Dimensions:



# Security Eye and Body Showers SLSN 23(Z), SLSN 24



## Characteristics:

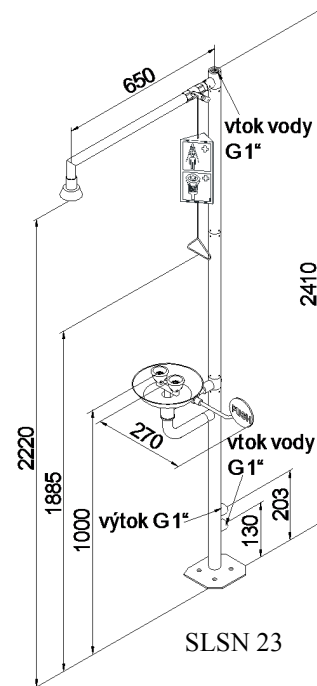
- for use in chemical, mining industry, hospitals, laboratories
- self standing body shower with self cleaning head and compact eyewash shower and bowl, self cleaning shower, floor installation (SLSN 23)
- wall mounted body shower with self cleaning head and compact eyewash shower and bowl (SLSN 23Z)
- used as first aid if eyes impacted by accidents caused by fire, chemical or other dangerous substances



## Supply Specification:

- SLSN 23 – supply No. 92230 self standing body and eye shower, coated by chemically resistant varnish, fixing included
- SLSN 23Z – supply No. 82235 wall mounted body and eye shower, coated by chemically resistant varnish, fixing included

## Dimensions:

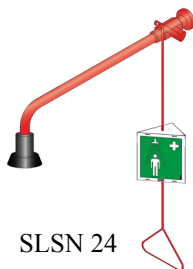


## Technical Specification:

Rate of flow:	Eye shower - 26 l/min @ 1 bar (integrated flow regulator)
	Body shower - 60 l/min @ 1 bar
Water inlet:	1" female
Water outlet:	1" female
Total height:	2410 mm (SLSN 23) 1500 mm (SLSN 23Z)

## Characteristics:

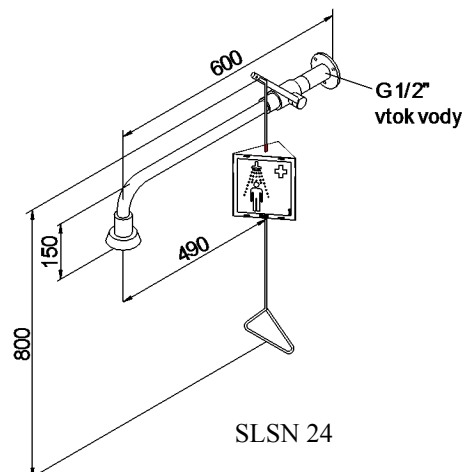
- for use in chemical, mining industry, hospitals, laboratories
- wall mounted body shower with self cleaning head
- used as first aid if eyes impacted by accidents caused by fire, chemical or other dangerous substances



## Supply Specification:

- SLSN 24 – obj. č. 92240 wall mounted body shower coated by chemically resistant varnish

## Dimensions:



## Technical Specification:

Rate of flow:	60 l/min @ 1 bar
Water Inlet:	½" female

# Security Eye and Body Showers SLSN 23H(HO)



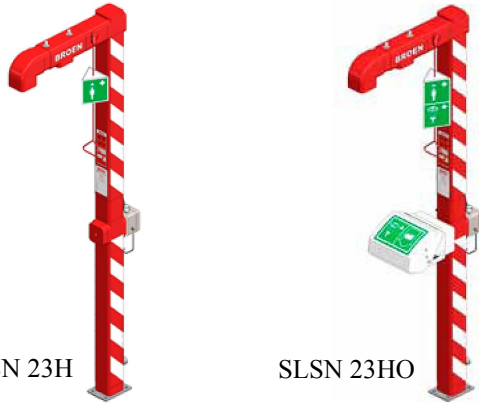
## Characteristics:



- for use in chemical, mining industry, hospitals, laboratories
- self standing outside body shower with, max. working outside temperature -20 °C (SLSN 23H)
- self standing outside body and eyewash shower with, max. working outside temperature -20 °C (SLSN 23HO)
- used as first aid if eyes impacted by accidents caused by fire, chemical or other dangerous substances

## Supply Specification:

- SLSN 23H – supply No. 82236 self standing, heated outside shower, coated by chemically resistant varnish
- SLSN 23HO – supply No. 82237 self standing, heated outside body and eyewash shower, coated by chemically resistant varnish



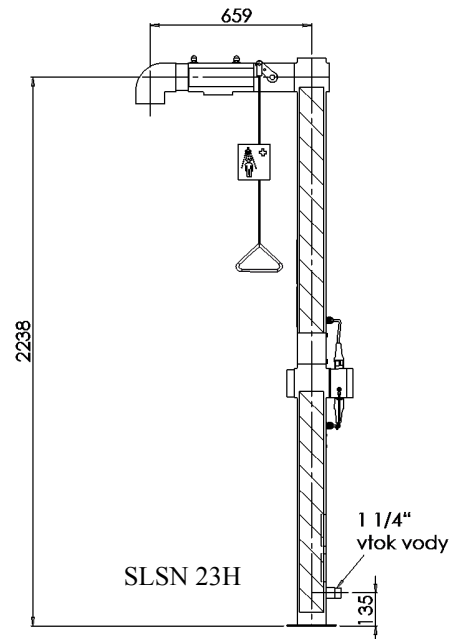
SLSN 23H

SLSN 23HO

## Technical Specification:

Min. working pressure:	2 MPa
Max. working temperature:	-20 °C
Rate of flow:	115 l/min
Operating voltage:	230V/50Hz

## Dimensions:



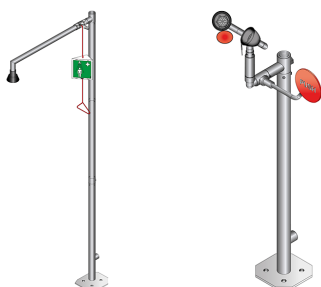
SLSN 23H

## Made to order:

### Eyewash showers in new design



Stainless steel Eyewash and Body showers



Heated Eyewash and Body showers up to -35 °C



### Eyewash and Body showers for handicapped



Concealed Eye showers

