

Urinals with the Radar Flushing Unit SLP 24R, 25R, 45R, 46R, 47R, 48R, 58R



SLP 24 - ALESSI
WITH A COVER



SLP 25 - ALESSI



SLP 45 - ALESSI DOT
WITH A COVER



SLP 46 - ALESSI DOT



SLP 47 - ALESSI DOT BLACK
WITH A COVER



SLP 48 - ALESSI DOT
BLACK



SLP 58 - OLYMPIA
CRYSTAL

Characteristics:

LEED

- system reacts only on the direct use of the urinal (it analyses changes, which are proceeded inside of the urinal, when a liquid (urine) is flowing through)
- adjustable flushing time from 0,5 to 15,5 sec.
- adjustable minimum use time (min. time of urinal direct using) from 6 to 15 sec.
- parameters adjustment by SLD 04 remote control (without the necessity to dismantle the urinal from the wall)
- automatic flushing after each 6 hours non-use
- possibility to regulate a water flow by the angle valve
- radar flushing unit recharges a water to the siphon after each flushing

Technical Specification:

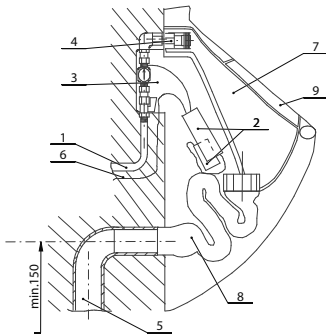
Dimension of mounting box	140 x 140 x 75 mm
Operating voltage	
- SLP 24R, 25R, 45R, SLP 46R, 47R, 48R, 58R	24V DC
- SLP 24RZ, 25RZ, 45RZ, SLP 46RZ, 47RZ, 48RZ, 58RZ	230V AC/50Hz
Power input	5 W
- operating by 24V DC	
Recommended flow pressure	0,1 - 0,6 MPa
Rate of flow	12 l/min. (inf. data)
Water inlet	male thread G 3/4"
Water outlet	inlet fitting with a rubber seal

Supply Specification:

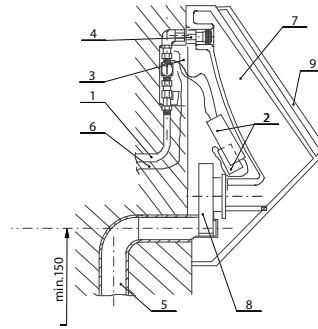
SLP 24R	- supply No. 01244	urinal with integrated radar electronics, plastic mounting box with a brass screw-coupling, electromagnetic valve and ball valve with a filter, special inlet fitting with a rubber seal, siphon, mounting set, integrated power supply (only for models with „Z“ index), plastic cover (except SLP 25, SLP 46, SLP 48)
SLP 25R	- supply No. 01254	
SLP 24RZ	- supply No. 01245	
SLP 25RZ	- supply No. 01255	
SLP 45R	- supply No. 01454	
SLP 45RZ	- supply No. 01455	
SLP 46R	- supply No. 01464	
SLP 46RZ	- supply No. 01465	
SLP 47R	- supply No. 01474	
SLP 47RZ	- supply No. 01475	
SLP 48R	- supply No. 01484	
SLP 48RZ	- supply No. 01485	
SLP 58R	- supply No. 01584	
SLP 58RZ	- supply No. 01585	

Installation Drawing:

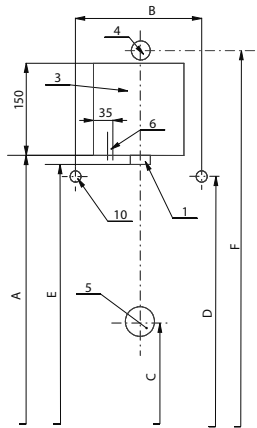
SLP 24R, SLP 25R



SLP 45R - SLP 48R - SLP58R



- 1 - water supply
- 2 - electronics with a radar sensor
- 3 - mounting box with a ball valve, electromagnetic valve and brass screw-coupling
- 4 - inlet fitting with a rubber seal
- 5 - waste pipeline Ø 50 mm
- 6 - feed cable from the power supply
- 7 - ceramic urinal
- 8 - siphon
- 9 - cover
- 10 - 2 holes Ø 14 mm for wall plug



	A	B	C	D	E	F
ALESSI	655	200	420	520	635	815
ALESSI DOT	705	175	450	625	685	865
CRYSTAL	—	230	520	833	—	885

dimensions of urinal [mm]	width	height	depth
ALESSI	325	585	290
ALESSI DOT	300	600	320
CRYSTAL	330	620	310

Recommended Accessories:

- SLZ 01Y** – supply No. **05012** external power supply 230/24V DC for operating of max. 5 pcs. of flushing units (page 118)
- SLZ 01Z** – supply No. **05011** external power supply 230/24V DC for operating of max. 9 pcs. of flushing units (page 118)
- SLD 04** – supply No. **07040** remote control for a parameter's adjustment (see page 115)
- SLR 01** – supply No. **08010** mounting frame to the plasterboard for the urinal with radar flushing unit with mounting box (see page 116)