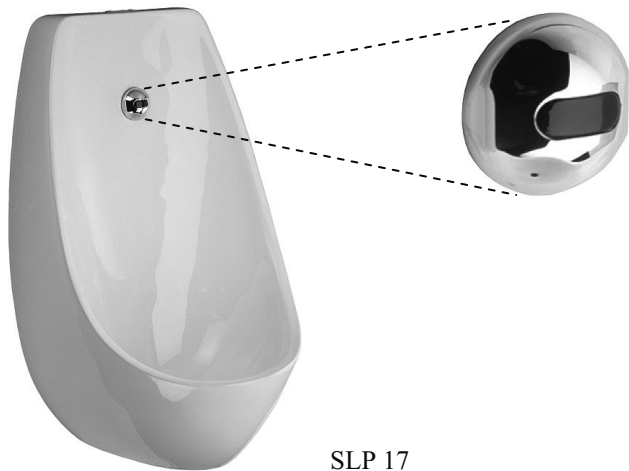


Ceramic Urinal Domino with Infra-red Flushing Unit SLP 17



SLP 17

Characteristics:

LEED

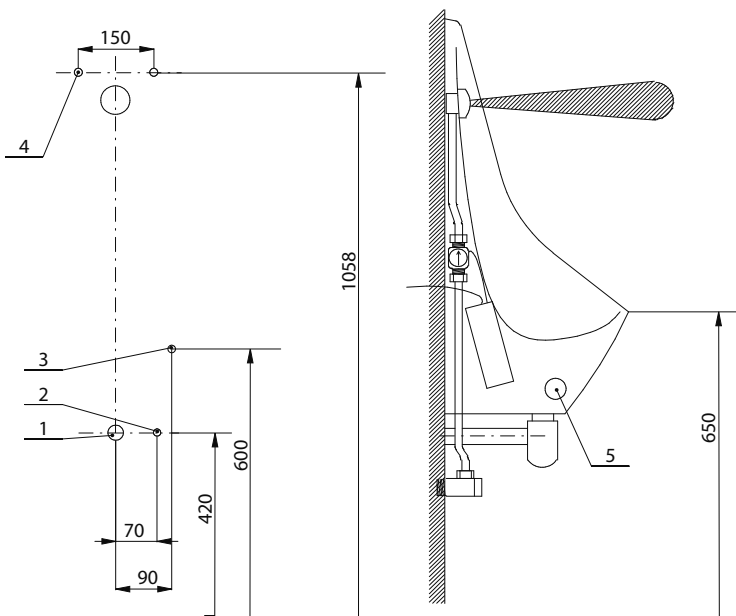
- ceramic urinal Domino with an integrated flushing unit
- system reacts to the user attendance in front of the urinal at a maximum distance of 0,7 m, minimum stay time in active range is 7,5 sec.
- water flows after leaving active range
- adjustable flushing time from 0,5 to 15,5 seconds
- parameters adjustment by SLD 03 remote control
- function switch ON/OFF
- automatic hygiene flushing after 24 hours non-use
- monitoring of capacity of operating battery (only for SLP 17B)

Technical Specification:

Operating voltage	
- SLP 17	24V DC external
- SLP 17B	9V
Power input	
- operating by 24V DC	5 W
- operating by 9V	1,4 W
Active range	0,3 - 0,7 m
Recommended flow pressure	0,1 - 0,6 MPa
Rate of flow	12 l/min. (inf. data)
Water inlet	male thread G 1/2"
Water outlet	shower head in the urinal

Installation Drawing:

- 1 - waste (Ø 40 mm)
- 2 - water inlet - male thread G 1/2"
- 3 - feed cable from the power supply 24V DC, CYKY 2A x 1,5
- 4 - 2x hole ø 10 mm for wall plug
- 5 - plastic tube for operating battery (only for SLP 17B)



dimensions [mm]	width	height	depth
DOMINO	430	665	315



SLA 11



SLA 18

Supply Specification:

- SLP 17** – **supply No. 01170** ceramic urinal DOMINO; chromium-plated shower head with the jet and with the integrated sensor; angle valve with a filter; electromagnetic valve (1 pc.); electronics; connecting hose; **delivered without a siphon**; alkaline battery SLA 29 (only for SLP 17B); mounting set
- SLP 17B** – **supply No. 11176** sensor; angle valve with a filter; electromagnetic valve (1 pc.); electronics; connecting hose; **delivered without a siphon**; alkaline battery SLA 29 (only for SLP 17B); mounting set

Recommended Accessories:

- SLZ 01Y** – **supply No. 05012** external power supply 230/24V DC for operating of max. 5 pcs. of flushing units (see page 118)
- SLZ 01Z** – **supply No. 05011** external power supply 230/24V DC for operating of max. 9 pcs. of flushing units (see page 118)
- SLZ 06** – **supply No. 05060** external power supply 230/24V DC for operating of max. 1 pc. of flushing unit (see page 118)
- SLR 02D** – **supply No. 08024** mounting frame to the plasterboard for the urinal Domino (see page 116)
- SLA 29** – **supply No. 06290** alkaline battery 9V/550 mAh, type 6F22 (PP3), battery life approx. 1 year at 100 flushes per day (only for SLP 17B) (see page 115)
- SLA 11** – **supply No. 06110** universal plastic sieve for urinals (see page 115)
- SLA 18** – **supply No. 06180** universal plastic sieve with filling for urinals (see page 115)