

# Ceramic Urinals with Radar Flushing Unit

## SLP 12R, 14R, 27R, 32R, 33R, 37R, 59R, SLP 60RS



Characteristics:



LEED



SLP 12 - VILA



SLP 14 - JOLY  
WITH A COVER



SLP 27 - CHIC



SLP 32 - ARQ  
WITH A COVER



SLP 33 - CASA  
WITH A COVER



SLP 37 - VILA  
WITH A COVER  
SOFT - CLOSE



SLP 59 - LEMA



SLP 60 - SITE

- **economy flushing by 1 liter of water**
- system reacts only on the direct use of the urinal (it analyses changes, which are proceeded inside of the urinal, when a liquid (urine) is flowing through)
- adjustable flushing time from 0,5 to 15,5 sec.
- adjustable minimum use time (min. time of urinal direct using) from 6 to 15 sec.
- parameters adjustment by SLD 04 remote control (without the necessity to dismantle the urinal from the wall)
- automatic flushing after each 6 hours non-use
- possibility to regulate a water flow by the angle valve
- radar flushing unit recharges a water to the siphon after each flushing

### Technical Specification:

Dimension of mounting box	140 x 140 x 75 mm
Operating voltage	
- SLP 12R, 14R, 27R, 32R, 33R, 37R, 59R, 60RS	24V DC external
- SLP 32RB, 33RB, 60RB	6V
- SLP 14RZ, 27RZ, 32RZ, 33RZ, 37RZ, 59RZ, 60RZ	230V AC/50Hz
Power input	
- operating by 24V DC	5 W
- operating by 6V	1,4 W
Recommended flow pressure	0,1 - 0,6 MPa
Rate of flow	12 l/min. (inf. data)
Water inlet	male thread G 3/4"



SLA 11



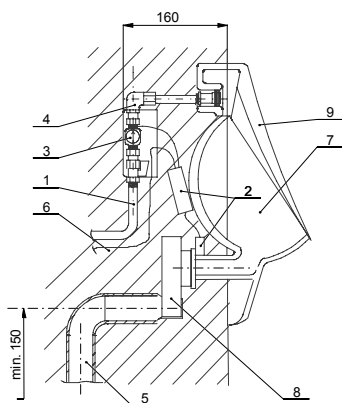
SLA 18

## Supply Specification:

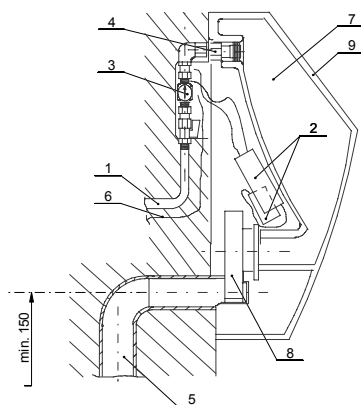
<b>SLP 12R</b>	- supply No. 01124	ceramic urinal with an integrated radar electronics; plastic mounting box with a brass
<b>SLP 12RZ</b>	- supply No. 01125	screw-coupling, electromagnetic valve (1 pc.) and ball stop valve; inlet fitting with
<b>SLP 14R</b>	- supply No. 01144	a rubber seal; siphon; mounting set; integrated power supply (only for models with „Z“
<b>SLP 14RZ</b>	- supply No. 01145	index); plastic cover (except SLP 27); 4 pcs. of operating alkaline batteries, size AA,
<b>SLP 27R</b>	- supply No. 01274	1,5V, 2700 mAh (only for models with „B“ index)
<b>SLP 27RZ</b>	- supply No. 01275	
<b>SLP 32R</b>	- supply No. 01324	
<b>SLP 32RZ</b>	- supply No. 01325	
<b>SLP 32RB</b>	- supply No. 11327	
<b>SLP 33R</b>	- supply No. 01334	
<b>SLP 33RZ</b>	- supply No. 01335	
<b>SLP 33RB</b>	- supply No. 11337	
<b>SLP 37R</b>	- supply No. 01374	
<b>SLP 37RZ</b>	- supply No. 01375	
<b>SLP 59R</b>	- supply No. 01594	
<b>SLP 59RZ</b>	- supply No. 01595	
<b>SLP 60R</b>	- supply No. 01604	
<b>SLP 60RZ</b>	- supply No. 01605	
<b>SLP 60RB</b>	- supply No. 11607	

## Installation Drawing:

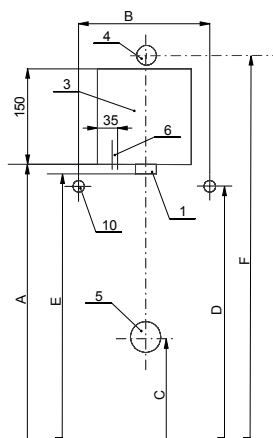
SLP 14R



SLP xxR



- 1 - water supply
- 2 - electronics with a radar sensor
- 3 - mounting box with a brass screw-coupling and electromag. valve
- 4 - inlet fitting with a rubber seal
- 5 - waste pipeline Ø 50 mm
- 6 - feed cable from the power supply
- 7 - ceramic urinal
- 8 - siphon
- 9 - plastic cover
- 10- 2 holes Ø 14 mm for wall plug



	A	B	C	D	E	F
ARQ	695	205	430	625	675	855
CASA	630	240	415	630	610	790
CHIC	635	240	375	600	615	795
JOLY	750	230	460	650	730	910
VILA	630	180	415	605	610	790
LEMA	-	180	350	-	300	-
SITE	-	145	480	1085	460	-

dimensions [mm]	width	heigh	depth
ARQ	310	525	290
CASA	305	465	285
CHIC	325	558	330
JOLY	330	530	155
VILA	305	405	285
LEMA	350	700	400
SITE	415	700	415

## Recommended Accessories:

<b>SLZ 01Y</b>	- supply No. 05012	external power supply 230/24V DC for operating of max. 5 pcs. of flushing units (see page 118)
<b>SLZ 01Z</b>	- supply No. 05011	external power supply 230/24V DC for operating of max. 9 pcs. of flushing units (see page 118)
<b>SLD 04</b>	- supply No. 07040	remote control for an adjustment of parameters of radar flushing unit and piezo electronics (see page 115)
<b>SLR 01</b>	- supply No. 08010	mounting frame to the plasterboard for the urinal with radar flushing unit on the mounting rail (see page 116)
<b>SLR 01R</b>	- supply No. 08012	mounting frame to the plasterboard for the urinal Joly with radar flushing unit (see page 116)
<b>SLA 11</b>	- supply No. 06110	universal plastic sieve for urinals (see page 115)
<b>SLA 18</b>	- supply No. 06180	universal plastic sieve with filling for urinals (see page 115)