

# Automatic Sub-ceiling Flushing Unit SLP 11



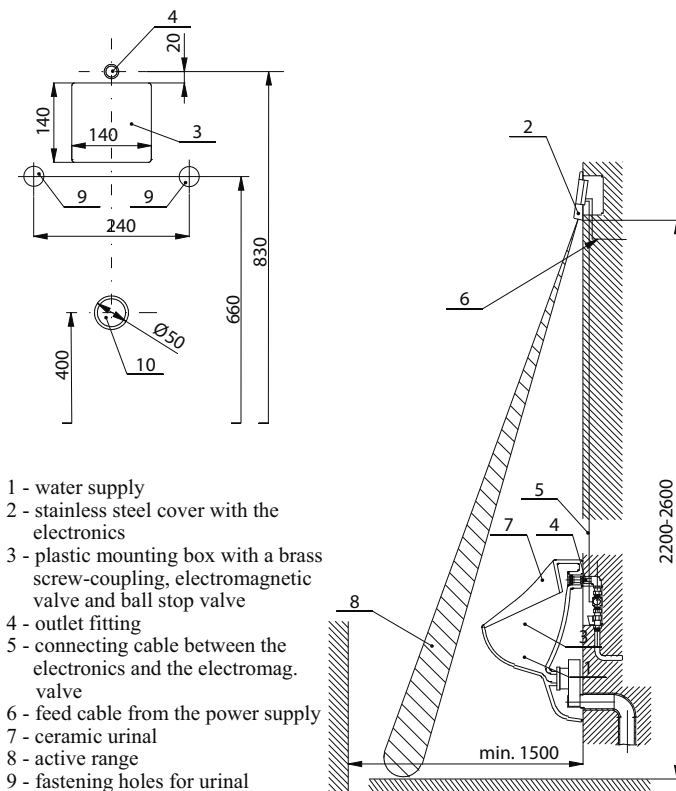
SLP 11

## Characteristics:

LEED

- system is mounted on the wall above the urinal up the height from 2,2 to 2,6 m
- system reacts to the user attendance in front of the urinal at a maximum distance of 1,5 m, minimum stay time in active range is 7,5 sec.
- water flows after leaving active range
- adjustable flushing time from 0,5 to 15,5 seconds
- parameters adjustment by SLD 03 remote control
- function switch ON/OFF
- **only for one urinal**

## Installation Drawing:



- 1 - water supply
- 2 - stainless steel cover with the electronics
- 3 - plastic mounting box with a brass screw-coupling, electromagnetic valve and ball stop valve
- 4 - outlet fitting
- 5 - connecting cable between the electronics and the electromag. valve
- 6 - feed cable from the power supply
- 7 - ceramic urinal
- 8 - active range
- 9 - fastening holes for urinal

## Technical Specification:

Dimension of stainless steel cover 175 x 180 x 33 mm  
Dimension of the mounting box 140 x 140 x 75 mm

Operating voltage  
- SLP 11 24V DC external  
- SLP 11Z 230V AC/50Hz  
Power input 5 W  
Recommended flow pressure 0,1 - 0,6 MPa  
Rate of flow 12 l/min. (inf. data)  
Water inlet male thread G 3/4"  
Water outlet inlet fitting with a rubber sealing

## Supply Specification:

**SLP 11** – supply No. 01110 stainless steel stamped cover with the electronics; plastic mounting box (for  
**SLP 11Z** – supply No. 01111 fixation of stainless steel cover with the electronics); plastic mounting box with a brass screw-coupling, electromagnetic valve (1 pc.) and ball stop valve; inlet fitting with a rubber sealing; integrated power supply (only for SLP 11Z)

## Recommended Accessories:

**SLZ 01Y** – supply No. 05012 external power supply 230/24V DC for operating of max. 5 pcs. of flushing units (page 118)  
**SLZ 01Z** – supply No. 05011 external power supply 230/24V DC for operating of max. 9 pcs. of flushing units (page 118)  
**SLD 03** – supply No. 07030 universal remote control for an adjustment of parameters of all products with infra-red electronics (see page 115)  
**SLA 02** – supply no. 06020 inlet fitting with a rubber seal for urinals with a back water inlet (see page 115)