

Automatic Urinal Flushing Units SLP 02K, SLP 06K, SLP 02N



SLP 02K

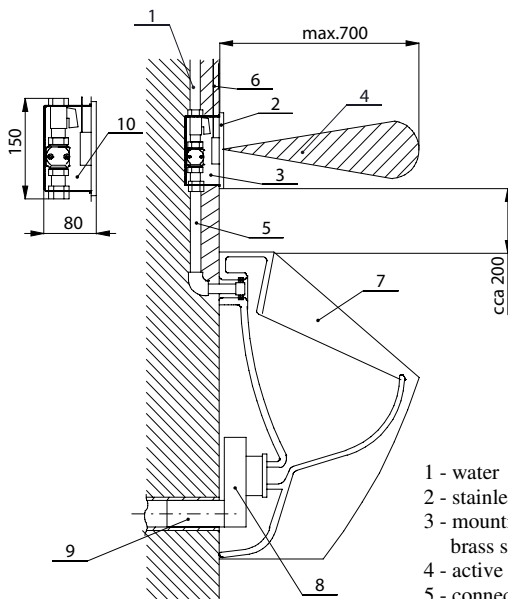


SLP 02N

Characteristics:

- system reacts to the user attendance in front of the urinal at a maximum distance of 0,7 m, minimum stay time in active range is 7,5 sec.
- water flows after leaving active range
- adjustable flushing time from 0,5 to 15,5 seconds
- parameters adjustment by SLD 03 remote control
- function switch ON/OFF
- automatic hygiene flushing after 24 hours non-use
- monitoring of capacity of operating battery (only for SLP 06K, SLP 02NB)

Installation Drawing:



- 1 - water supply
- 2 - stainless steel cover with electronics
- 3 - mounting plastic box with valve, brass screw - coupling
- 4 - active range
- 5 - connection with urinal (f.e. SLA 04)
- 6 - feed cable from the power supply
- 7 - ceramic urinal
- 8 - siphon
- 9 - waste outlet
- 10 - ball valve

Technical Specification:

Dimension of stainless cover	170 x 170 x 10 mm
Dimension of the mounting box	140 x 140 x 75 mm
Operating voltage	
- SLP 02K, 02N	24V DC external
- SLP 02KZ, 02NZ	230V AC/50Hz
- SLP 06K	battery 9V
- SLP 02NB	battery 6V
Power input	
- operating by 24V DC	7 W
- operating by 9V, 6V	3 W
Active range	0,3 - 0,7 m
Recommended flow pressure	0,1 - 0,6 MPa
Rate of flow	12 l/min. (inf. data)
Water inlet	male thread G 3/4"
Water outlet	male thread G 3/4"

Supply Specification:

SLP 02K	- supply No. 01022	stainless steel cover with electronics; plastic mounting box with the electromagnetic valve,
SLP 02KZ	- supply No. 01023	ball stop valve and brass screw-coupling; built-in power supply (only for SLP 02KZ and
SLP 06K	- supply No. 01062	SLP 02NZ); alkaline battery SLA 29 (only for SLP 06K); battery 4x AA alkaline 1,5V
SLP 02N	- supply No. 42022	2700 mAh (only for SLP 02NB)
SLP 02NZ	- supply No. 42023	
SLP 02NB	- supply No. 42025	

Recommended Accessories:

SLZ 01Y	- supply No. 05012	external power supply 230/24V DC for operating of max. 5 pcs. of flushing units
SLZ 01Z	- supply No. 05011	external power supply 230/24V DC for operating of max. 9 pcs. of flushing units
SLZ 04Y	- supply No. 05041	external power supply 230/24V DC on DIN rail, for operating of max. 5 pcs. of flushing units
SLZ 04Z	- supply No. 05042	external power supply 230/24V DC on DIN rail, for operating of max. 9 pcs. of flushing units
SLZ 04X	- supply No. 10049	external power supply 230/24V DC on DIN rail, for operating of max. 15 pcs. of flushing units
SLD 03	- supply No. 07030	universal remote control for an adjustment of parameters of all products with infra-red electronics
SLA 02	- supply No. 06020	inlet fitting with a rubber seal for urinals with a back water inlet
SLA 04	- supply No. 06040	plastic connection with a rubber seal between urinal with back water inlet and flushing unit
SLA 29	- supply No. 06290	alkaline battery 9V/550 mAh, type 6F22 (PP3), battery life approx. 1 year at 100 flushes per day (only for SLP 06K)
SLA 36	- supply No. 06360	set of alkaline batteries, 4 pcs. of 1,5V AA 2700 mAh (only for SLP 02NB)
SLR 02	- supply No. 08020	mounting frame to the plasterboard for the urinals and infra-red flushing unit placed above the urinal